

Horizontal Unit Heaters

UHH
Sizes; 016-094
Vintage B

Table of Contents

Parts List Revision History	3
Unit Model Number Nomenclature	4
Assembly Diagrams, UHH 016-094	5,6
Component List, UHH 016-094	7-10

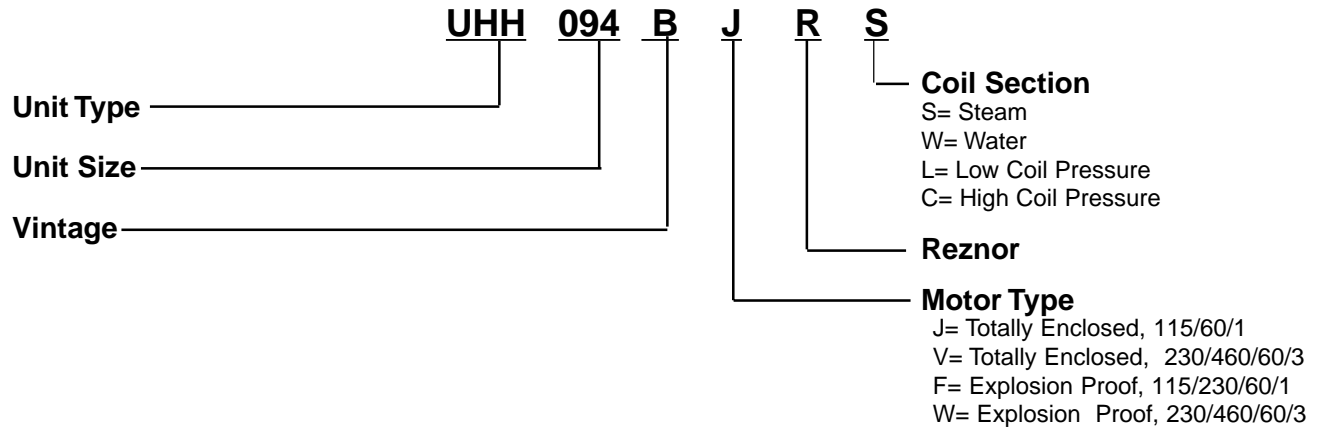
Parts List Revision History

Revision	Date	Description
-	9/81	RPL Section 3, pages 3.03-3.07 dated 2/81.
A	12/90	Reprint, supersedes RPL Section 3, pages 3.03-3.07 dated 2/81.
B	10/99	Updated for electronic distribution.
C	10/00	Page 10 - Bub #14, Fan Blade for 115/230/60/1 Explosion Proof Motor pn 001254100 was incorrect, the correct pn is 001245100.
D	3/03	Page 2-Incorrectly referenced UDH & sizes 040-610. Page 10 - Bub #14 Fan Blade for (056B-068B)Totally Enclosed Motor- part number was 001254100 and is now 001245100.



13600 Industrial Park Blvd., P.O. Box 1551, Minneapolis, MN 55440 (763) 553-5330

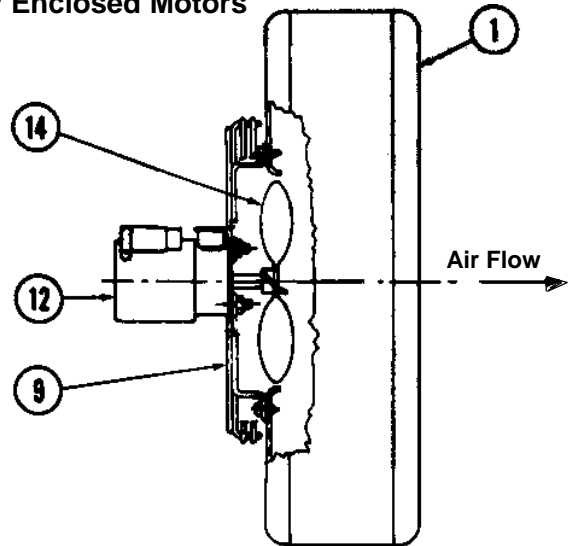
Unit Model Number Nomenclature



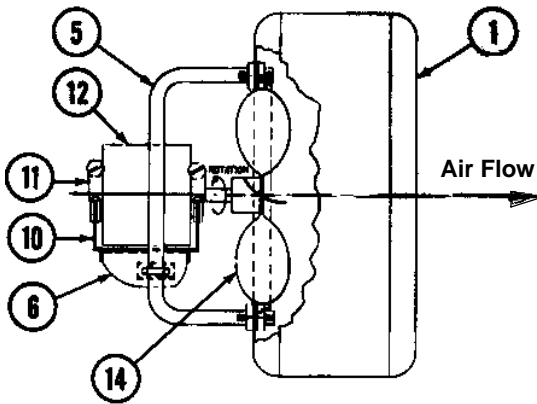
Assembly Diagram

UHH 016-094

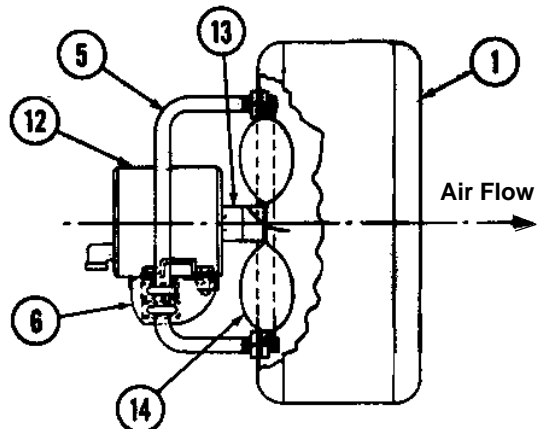
Unit Sizes 016B - 052B
Totally Enclosed Motors



Unit Sizes 056B - 094B
Totally Enclosed Motors

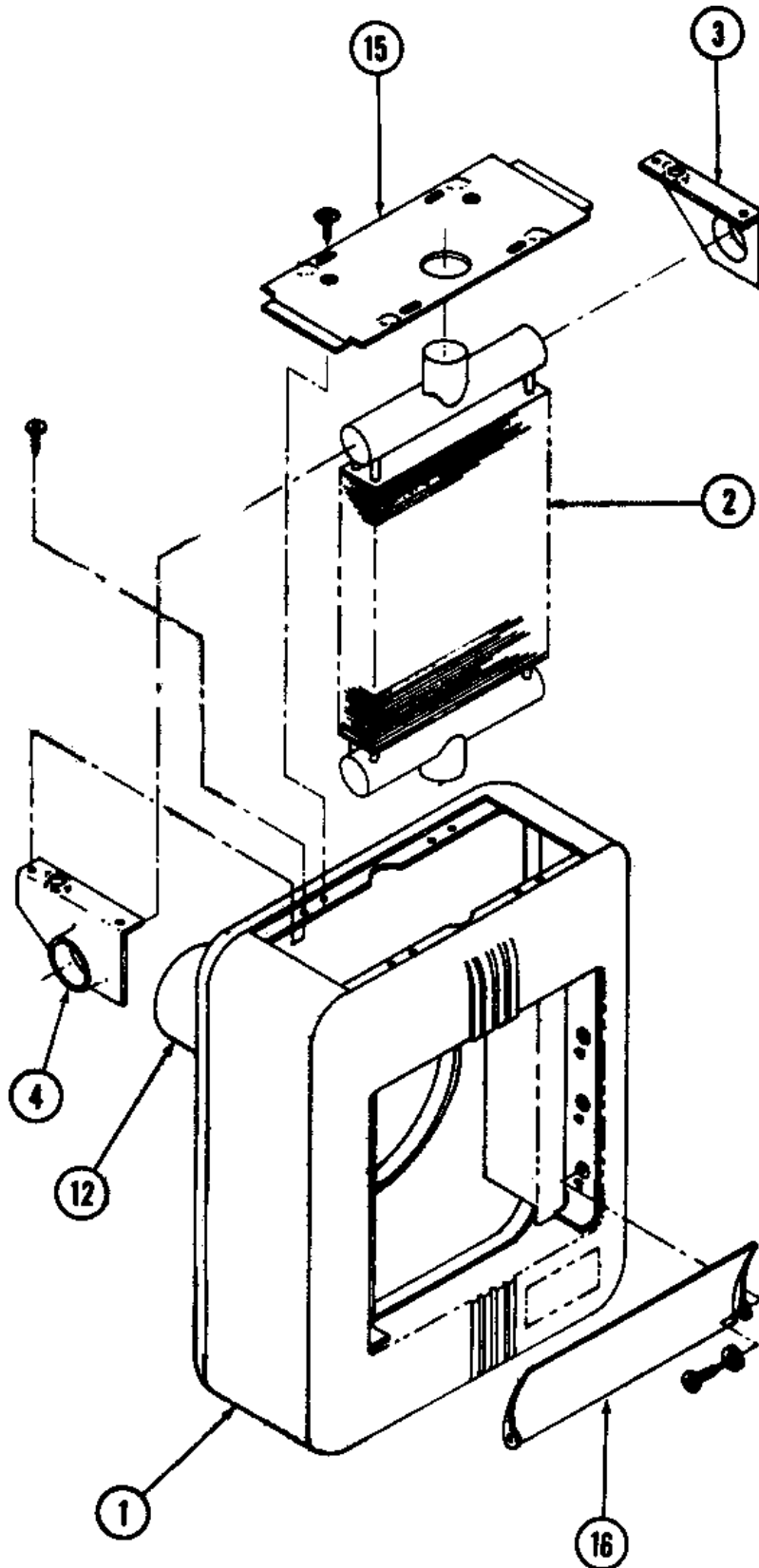


Unit Sizes 016B - 094B
Explosion Proof Motors



Assembly Diagram

UHH 016-094



Components List

UHH / 016-094

Bub No.	Part Description	Part Number	UHH Unit Size - Pieces Per Unit														
			016B	022B	028B	034B	044B	052B	056B	062B	068B	074B	080B	086B	094B		
1	Cabinet for Totally Enclosed Motors Only	038334300	1	1													
1	Cabinet for Totally Enclosed Motors Only	038334500			1												
1	Cabinet for Totally Enclosed Motors Only	038334700				1											
1	Cabinet for Totally Enclosed Motors Only	038334900					1										
1	Cabinet for Totally Enclosed Motors Only	038335100						1									
1	Cabinet for Explosion Proof Motors Only	038334200	1	1													
1	Cabinet for Explosion Proof Motors Only	038334400			1												
1	Cabinet for Explosion Proof Motors Only	038334600				1											
1	Cabinet for Explosion Proof Motors Only	038334800					1										
1	Cabinet for Explosion Proof Motors Only	038335000						1									
1	Cabinet for Totally Enclosed & Explosion Proof Motors	038335200							1	1							
1	Cabinet for Totally Enclosed & Explosion Proof Motors	038335300									1						
1	Cabinet for Totally Enclosed & Explosion Proof Motors	038335400										1					
1	Cabinet for Totally Enclosed & Explosion Proof Motors	038335500											1				
1	Cabinet for Totally Enclosed & Explosion Proof Motors	038335600												1	1		
2	Coil (Std w/alum. fins) 10-fins/inch, 2-row,3/8" tubes, 9" x 12"	037607800	1	1													
2	Coil (Std w/alum. fins) 10-fins/inch, 2-row,3/8" tubes, 12" x 12"	037607900			1	1											
2	Coil (Std w/alum. fins) 10-fins/inch, 2-row,3/8" tubes, 13" x 18"	037608000					1										
2	Coil (Std w/alum. fins) 10-fins/inch, 2-row,3/8" tubes, 18" x 18"	037608100						1	1	1							
2	Coil (Std w/alum. fins) 10-fins/inch, 2-row,3/8" tubes, 21" x 21"	037608200									1						
2	Coil (Std w/alum. fins) 10-fins/inch, 2-row,3/8" tubes, 24" x 24"	037608300										1	1				
2	Coil (Std w/alum. fins) 10-fins/inch, 2-row,3/8" tubes, 33" x 33"	037608400												1	1		
2	Coil (Std w/copper fins) 10-fins/inch, 2-row,3/8" tubes, 9"x12"	041103800	1	1													
2	Coil (Std w/copper fins) 10-fins/inch, 2-row,3/8" tubes, 12"x12"	041103700			1	1											
2	Coil (Std w/copper fins) 10-fins/inch, 2-row,3/8" tubes, 13"x18"	041103600					1										
2	Coil (Std w/copper fins) 10-fins/inch, 2-row,3/8" tubes, 18"x18"	041103300						1	1	1							
2	Coil (Std w/copper fins) 10-fins/inch, 2-row,3/8" tubes, 21"x21"	041103500									1						
2	Coil (Std w/copper fins) 10-fins/inch, 2-row,3/8" tubes, 24"x24"	041103400										1	1				
2	Coil (Std w/copper fins) 10-fins/inch, 2-row,3/8" tubes, 33"x33"	041104400												1	1		

Components List

UHH / 016-094

Bub No.	Part Description	Part Number	UHH Unit Size - Pieces Per Unit														
			016B	022B	028B	034B	044B	052B	056B	062B	068B	074B	080B	086B	094B		
2	Coil-high press,7-fins/inch,2-row,5/8"tubes, Alum. fins, 9"x12"	037609900	1	1													
2	Coil-high press,7-fins/inch,2-row,5/8"tubes,Alum. fins, 12"x12"	037610000			1	1											
2	Coil-high press,7-fins/inch,2-row,5/8"tubes,Alum. fins, 13"x18"	037610100					1										
2	Coil-high press,7-fins/inch,2-row,5/8"tubes,Alum. fins, 18"x18"	037610200						1	1	1							
2	Coil-high press,7-fins/inch,2-row,5/8"tubes,Alum. fins, 21"x21"	037610300									1						
2	Coil-high press,7-fins/inch,2-row,5/8"tubes,Alum. fins, 24"x24"	037610400										1	1				
2	Coil-high press,7-fins/inch,2-row,5/8"tubes,Alum. fins, 33"x33"	037610500												1	1		
2	Coil-high press,7-fins/inch,2-row,5/8"tubes, Copper fins, 9"x12"	041104600	1	1													
2	Coil-high press,7-fins/inch,2-row,5/8"tubes,Copper fins,12"x12"	041104500			1	1											
2	Coil-high press,7-fins/inch,2-row,5/8"tubes,Copper fins,13"x18"	041104300					1										
2	Coil-high press,7-fins/inch,2-row,5/8"tubes,Copper fins,18"x18"	041104200						1	1	1							
2	Coil-high press,7-fins/inch,2-row,5/8"tubes,Copper fins,21"x21"	041104100									1						
2	Coil-high press,7-fins/inch,2-row,5/8"tubes,Copper fins,24"x24"	041104000										1	1				
2	Coil-high press,7-fins/inch,2-row,5/8"tubes,Copper fins,33"x33"	041103900												1	1		
2	Coil (Low Flow w/alum fins) 10-fins/inch, 1-row, 9" x 12"	035564500	1	1													
2	Coil (Low Flow w/alum fins) 10-fins/inch, 1-row, 12" x 12"	036878000			1	1											
2	Coil (Low Flow w/alum fins) 10-fins/inch, 1-row, 13" x 18"	035565000					1										
2	Coil (Low Flow w/alum fins) 8-fins/inch, 2-row, 18" x 18"	035566300						1	1	1							
2	Coil (Low Flow w/alum fins) 8-fins/inch, 2-row, 21" x 21"	036879100									1						
2	Coil (Low Flow w/alum fins) 8-fins/inch, 2-row, 24" x 24"	035566800										1	1				
2	Coil (Low Flow w/alum fins) 8-fins/inch, 2-row, 33" x 33"	035567400												1	1		
3	Coil Hanger, Left-hand* Standard Coil Only	004430000	1	1	1	1											
3	Coil Hanger, Left-hand* Low Flow Coil Only	038561701	1	1													
3	Coil Hanger, Left-hand* Low Flow Coil Only	004430001			1	1											
3	Coil Hanger, Left-hand* Standard & Low Flow Coils	004430201					1	1	1	1	1	1	1				
3	Coil Hanger, Left-hand* Standard & Low Flow Coils	005699401													1	1	
3	Coil Hanger, Left-hand* High Pressure Coil	004584601	1	1	1	1											
3	Coil Hanger, Left-hand* High Pressure Coil	005306701					1	1	1	1	1	1	1				
3	Coil Hanger, Left-hand* High Pressure Coil	008355001													1	1	
4	Coil Hanger, Right-hand* Standard Coil Only	004430100	1	1	1	1											
4	Coil Hanger, Right-hand* Low Flow Coil Only	038561701	1	1													
4	Coil Hanger, Right-hand* Low Flow Coil Only	004430101			1	1											
4	Coil Hanger, Right-hand* Standard & Low Flow Coils	004430301					1	1	1	1	1	1	1				
4	Coil Hanger, Right-hand* Standard & Low Flow Coils	005699301													1	1	
4	Coil Hanger, Right-hand* High Pressure Coil	004584501	1	1	1	1											
4	Coil Hanger, Right-hand* High Pressure Coil	005306801					1	1	1	1	1	1	1				
4	Coil Hanger, Right-hand* High Pressure Coil	008354901													1	1	

* Determine if right-hand or left-hand by *facing* discharge air.

Components List

UHH / 016-094

Bub No.	Part Description	Part Number	UHH Unit Size - Pieces Per Unit														
			016B	022B	028B	034B	044B	052B	056B	062B	068B	074B	080B	086B	094B		
5	Mtr Hanger Pipe for Explosion Proof Mtrs, 115/60/1	037662400	2	2	2												
5	Mtr Hanger Pipe for Explosion Proof Mtrs, 115/60/1	037657800				2	2	2									
5	Mtr Hanger Pipe for Explosion Proof Mtrs, 230-460/60/3	039019600							2	2	2						
5	Mtr Hanger Pipe for Explosion Proof Mtrs, 230-460/60/3	037658000										2					
5	Mtr Hanger Pipe for Explosion Proof Mtrs, 230-460/60/3	037658200												2	2		
5	Mtr Hanger Pipe for Explosion Proof Mtrs, 230-460/60/3	037658300															2
5	Mtr Hanger Pipe for Totally Encl. Mtr, 115/60/1&230-460/60/3	039019500							2	2	2						
5	Mtr Hanger Pipe for Totally Encl. Mtr, 115/60/1&230-460/60/3	037657900										2					
5	Mtr Hanger Pipe for Totally Encl. Mtr, 115/60/1&230-460/60/3	037658100												2	2		
5	Mtr Hanger Pipe for Totally Encl. Mtr, 115/60/1&230-460/60/3	037658300															2
6	Motor Bracket for Explosion Proof Motor, 115/60/1	037658400	1	1	1	1	1	1									
6	Motor Bracket for Explosion Proof Motor, 230-460/60/3	037658500							1	1	1	1					
6	Motor Bracket for Explosion Proof Motor, 230-460/60/3	009130600												1	1		
6	Motor Bracket for Explosion Proof Motor, 230-460/60/3	037658700															1
6	Mtr Bracket for Totally Encl. Mtr, 115/60/1&230-460/60/3	038331700							1	1	1	1					
6	Mtr Bracket for Totally Encl. Mtr, 115/60/1&230-460/60/3	037658600												1	1		
6	Mtr Bracket for Totally Encl. Mtr, 115/60/1&230-460/60/3	037658700															1
9	Fan Guard & Motor Mount for Totally Enclosed Motor	037525500	1	1	1	1	1	1									
10	Mtr Mount Ass'y for Totally Enclosed Mtr, 115/60/1	040954301							1	1	1	1					
10	Mtr Mount Ass'y for Totally Enclosed Mtr, 115/60/1	040954303												1	1	1	
10	Mtr Mount Ass'y for Totally Enclosed Mtr, 230-460/60/3	040954302							1	1	1	1					
10	Mtr Mount Ass'y for Totally Enclosed Mtr, 230-460/60/3	040954304												1	1	1	
11	Motor Mount Strap 230-460/60/3	000134500							2	2	2	2	2	2	2	2	2
12	Motor, 115/60/1, Totally Enclosed 1/60 HP	036086200	1														
12	Motor, 115/60/1, Totally Enclosed 1/20 HP	036222900		1	1	1	1	1									
12	Motor, 115/60/1, Totally Enclosed 1/5 HP	036220500							1	1	1	1					
12	Motor, 115/60/1, Totally Enclosed 1/3 HP	036220600												1	1		
12	Motor, 115/60/1, Totally Enclosed 3/4 HP	036619300															1
12	Motor, 230-460/60/3, Totally Enclosed 1/5 HP	037656700							1	1	1	1					
12	Motor, 230-460/60/3, Totally Enclosed 1/3 HP	037656900												1	1		
12	Motor, 230-460/60/3, Totally Enclosed 3/4 HP	037662300															1
12	Motor, 115/60/1, Explosion Proof 1/6 HP	037656000	1	1	1	1	1	1									
12	Motor, 115-230/60/1, Explosion Proof 1/3 HP	037656100							1	1	1	1					
12	Motor, 115-230/60/1, Explosion Proof 1/2 HP	037656300												1	1		
12	Motor, 230-460/60/3, Explosion Proof 1/3 HP	037656200							1	1	1	1					
12	Motor, 230-460/60/3, Explosion Proof 1/2 HP	037656500												1	1		
12	Motor, 230-460/60/3, Explosion Proof 3/4 HP	037656600															1
13	Hub Extension for Explosion Proof Motor	038253500							1	1	1	1	1	1	1	1	1

Components List

UHH / 016-094

Bub No.	Part Description	Part Number	UHH Unit Size - Pieces Per Unit														
			016B	022B	028B	034B	044B	052B	056B	062B	068B	074B	080B	086B	094B		
14	Fan Blade for 115/60/1 Totally Enclosed Motor	000178700	1														
14	Fan Blade for 115/60/1 Totally Enclosed Motor	000047100		1	1												
14	Fan Blade for 115/60/1 Totally Enclosed Motor	001131700				1											
14	Fan Blade for 115/60/1 Totally Enclosed Motor	001114900					1	1									
14	Fan Blade for 115/60/1 Totally Enclosed Motor	001245100							1	1	1						
14	Fan Blade for 115/60/1 Totally Enclosed Motor	001171100										1					
14	Fan Blade for 115/60/1 Totally Enclosed Motor	001279900											1	1			
14	Fan Blade for 115/60/1 Totally Enclosed Motor	001266400														1	
14	Fan Blade for 230-460/60/3 Totally Enclosed Motor	001245100							1	1	1						
14	Fan Blade for 230-460/60/3 Totally Enclosed Motor	001171100										1					
14	Fan Blade for 230-460/60/3 Totally Enclosed Motor	001279900											1	1			
14	Fan Blade for 230-460/60/3 Totally Enclosed Motor	001266400														1	
14	Fan Blade for 115/60/1 Explosion Proof Motor	001009800	1														
14	Fan Blade for 115/60/1 Explosion Proof Motor	001009900		1	1												
14	Fan Blade for 115/60/1 Explosion Proof Motor	001010100				1											
14	Fan Blade for 115/60/1 Explosion Proof Motor	001010200					1	1									
14	Fan Blade for 115-230/60/1 Explosion Proof Motor	001245100							1		1						
14	Fan Blade for 115-230/60/1 Explosion Proof Motor	001115000								1							
14	Fan Blade for 115-230/60/1 Explosion Proof Motor	001171100										1					
14	Fan Blade for 115-230/60/1 Explosion Proof Motor	001279900											1	1			
14	Fan Blade for 230-460/60/3 Explosion Proof Motor	001245100							1	1	1						
14	Fan Blade for 230-460/60/3 Explosion Proof Motor	001171100										1					
14	Fan Blade for 230-460/60/3 Explosion Proof Motor	001279900											1	1			
14	Fan Blade for 230-460/60/3 Explosion Proof Motor	001266400														1	
15	Cover Plate	004430900	1	1													
15	Cover Plate	004430800			1	1											
15	Cover Plate	004431000					1										
15	Cover Plate	004431100						1	1	1							
15	Cover Plate	004431200									1						
15	Cover Plate	004431300										1	1				
15	Cover Plate	005708100												1	1		
16	Louver	002350800	4	4	4	4											
16	Louver	002350900					6	6	6	6							
16	Louver	002351000									7						
16	Louver	002433300										8	8				
16	Louver	003300800													11	11	