

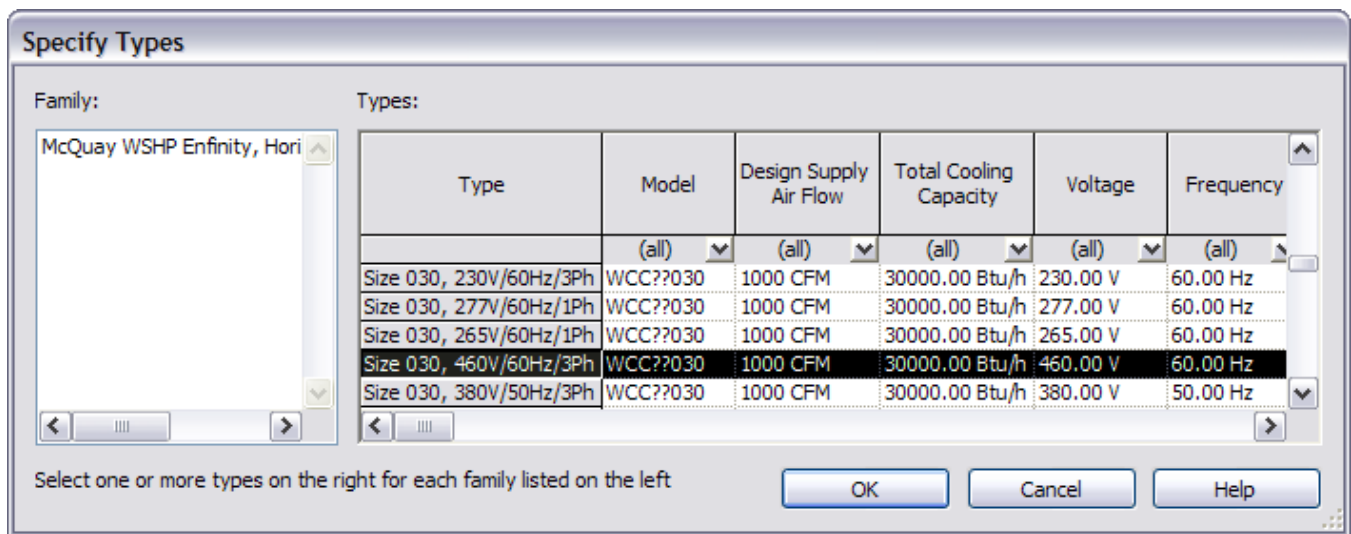
Converting a Revit® family to AutoCAD® (using Revit 2009)

If you have Revit available but are working in a project that is being done in AutoCAD, you can export the geometry from a Revit family to a DWG file, which you can use in your AutoCAD project.

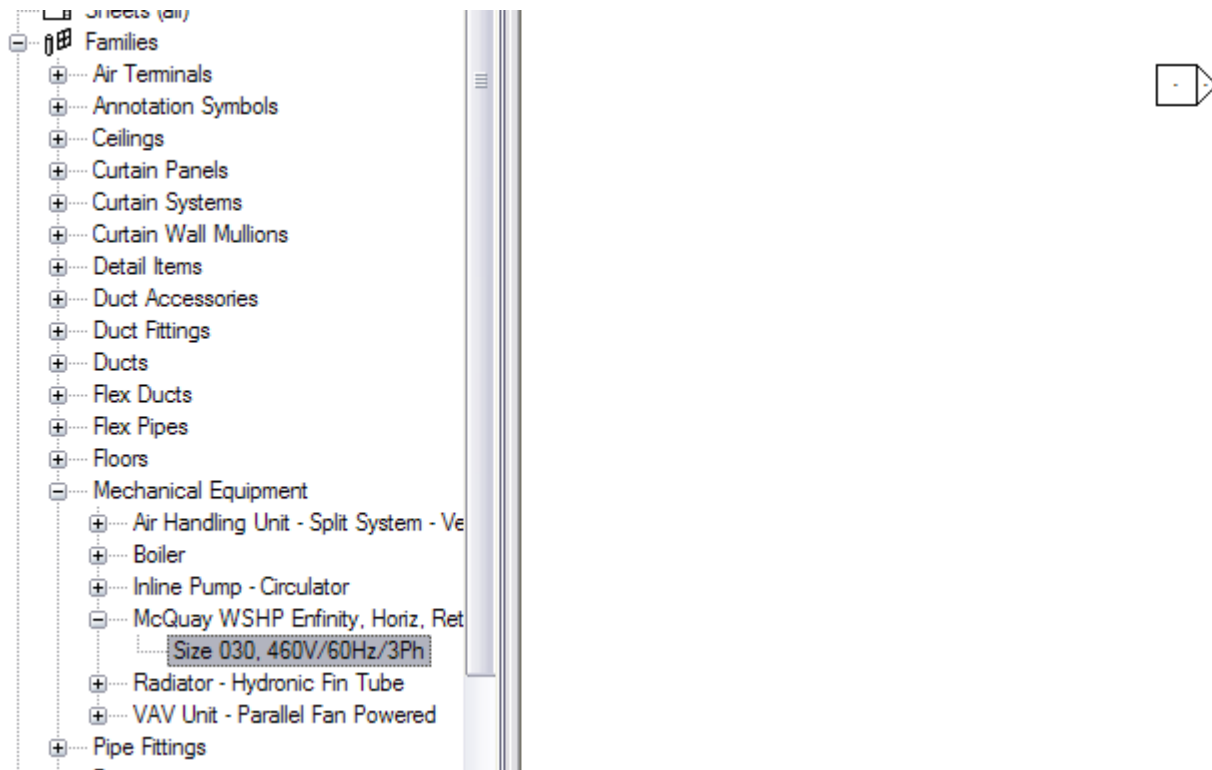
Begin by starting a *project* in Revit.

Use the File / Load from Library / Load Family... pulldown menu to load the correct family and type into the Revit project.

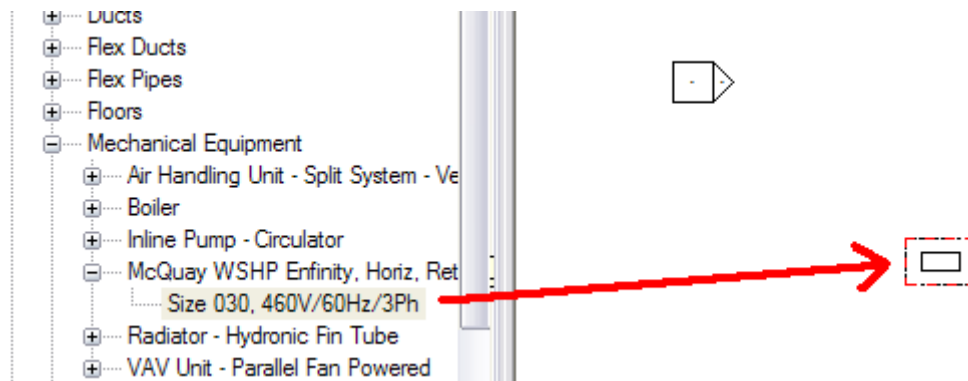
Choosing the type will ensure the geometry is set to the correct sizes. If you get the “Specify Types” dialog, be sure to click on the desired type until its background turns black, and then click the OK button.



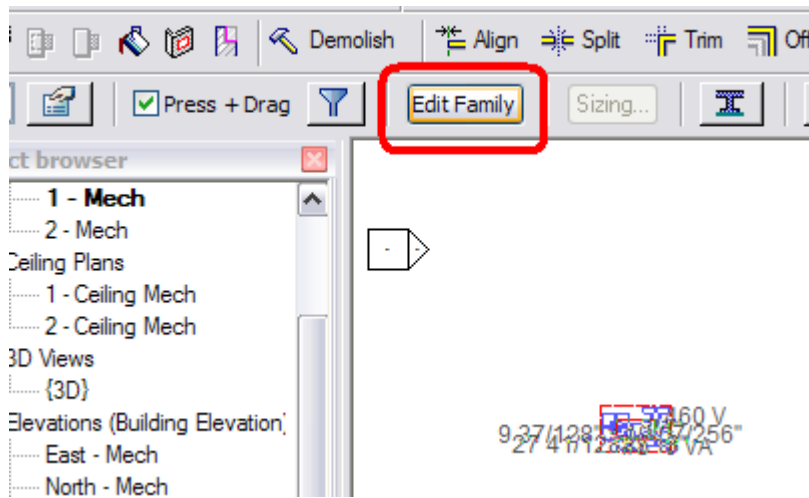
In the Project Browser treeview under Families / Mechanical Equipment locate the family file you loaded and expand it with the “+” button to see the type that was selected.



Drag that type from the tree view anywhere into the project work surface.

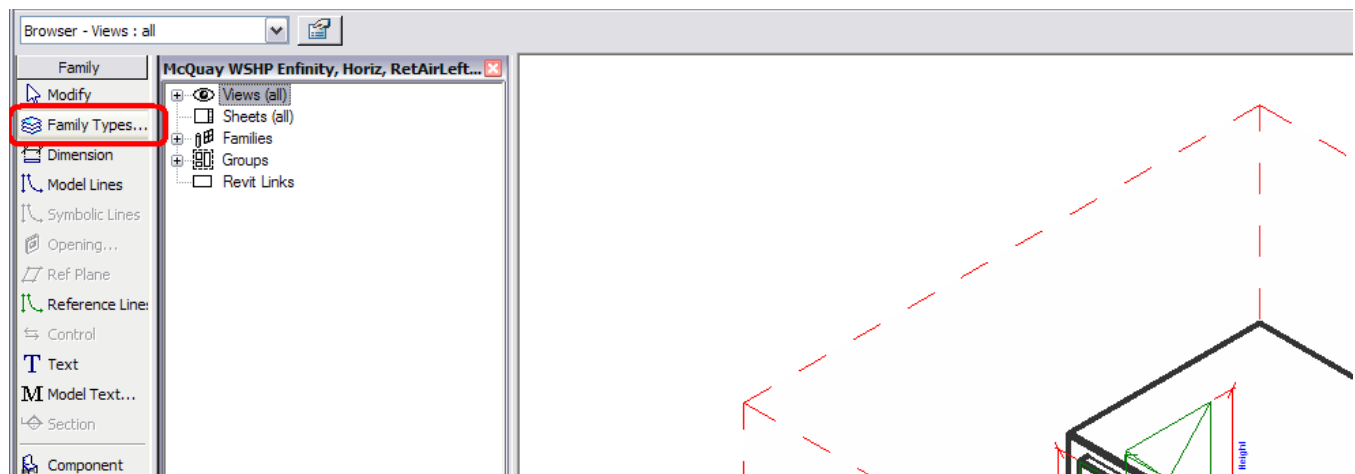


Click on the newly-placed family instance and then click the “Edit Family” button that appears on the options bar just above the work surface.



Answer Yes to confirm that you want to open the family for editing.

Once the family opens in the editor, click on the Family Types... button in the Design bar on the left.



Use the drop-down list to change the Clearance Type parameter (near the top of the list) to “Do Not Include Clearance”

Family Types

Name: Size 030, 460V/60Hz/3Ph

Parameter	Value	Formula
Constraints		
Family Load Status	Valid - Type loaded via type ca	=
Clearance Type (default)	Include Clearance	=
Clearance Offset Top	Do Not Include Clearance	=
Clearance Offset Right	Include Clearance	=
Clearance Offset Left	18.000	=
Clearance Offset Front	18.000	=
Clearance Offset Bottom	3.000	=
Clearance Offset Back	18.000	=
Materials and Finishes		
Equipment Finish	McQuay Unpainted Steel Fin	=
Electrical - Loads		
Supply Fan Power	0.00 VA	=
Supply Fan HP	0.00 VA	=
Minimum Circuit Current	0.00 A	=
Maximum Overcurrent Protecti	0.00 A	=
Design Total Power	0.00 VA	=
Apparent Load	0.00 VA	=
Mechanical		

Family Types

New...

Rename...

Delete

Parameters

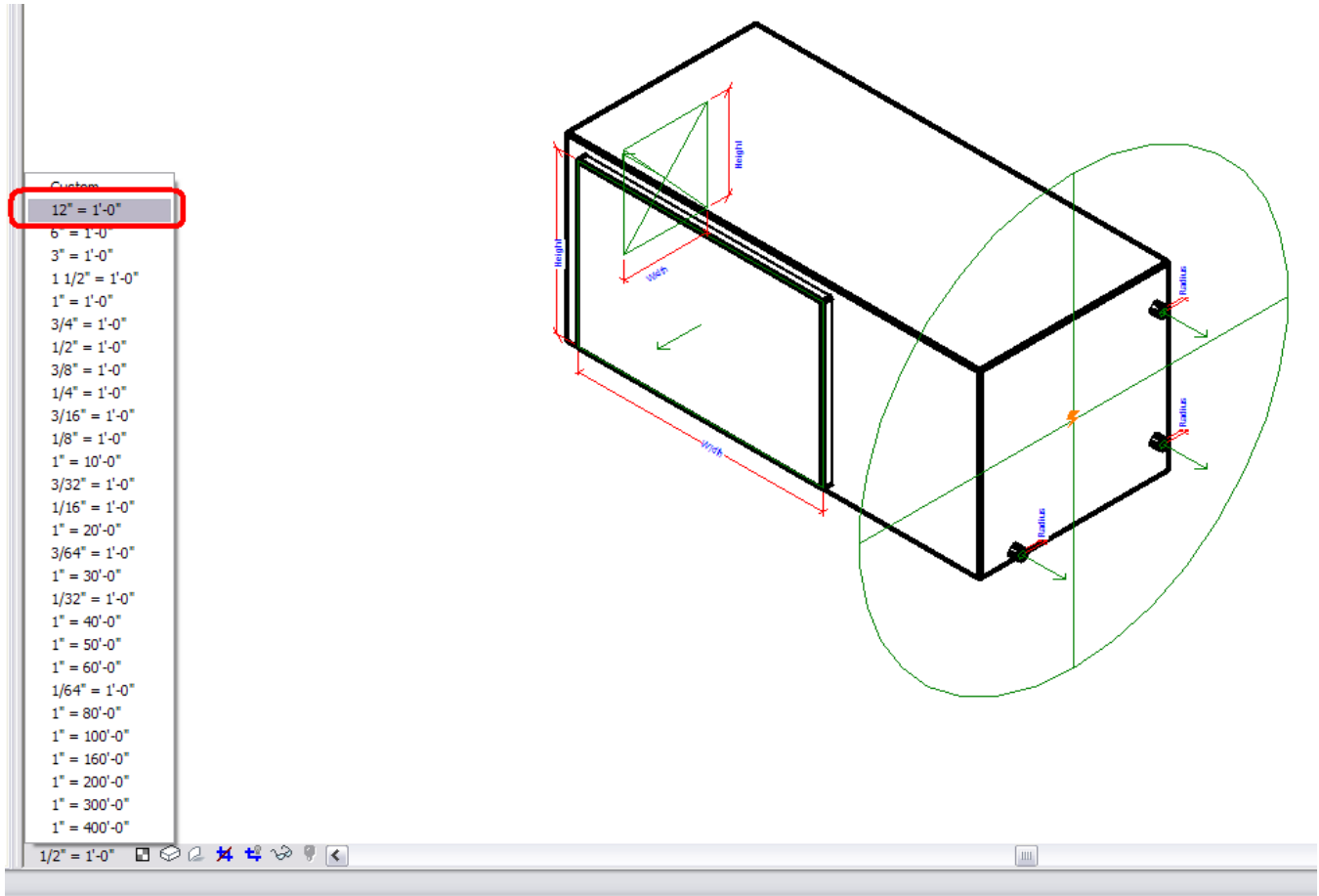
Add...

Modify...

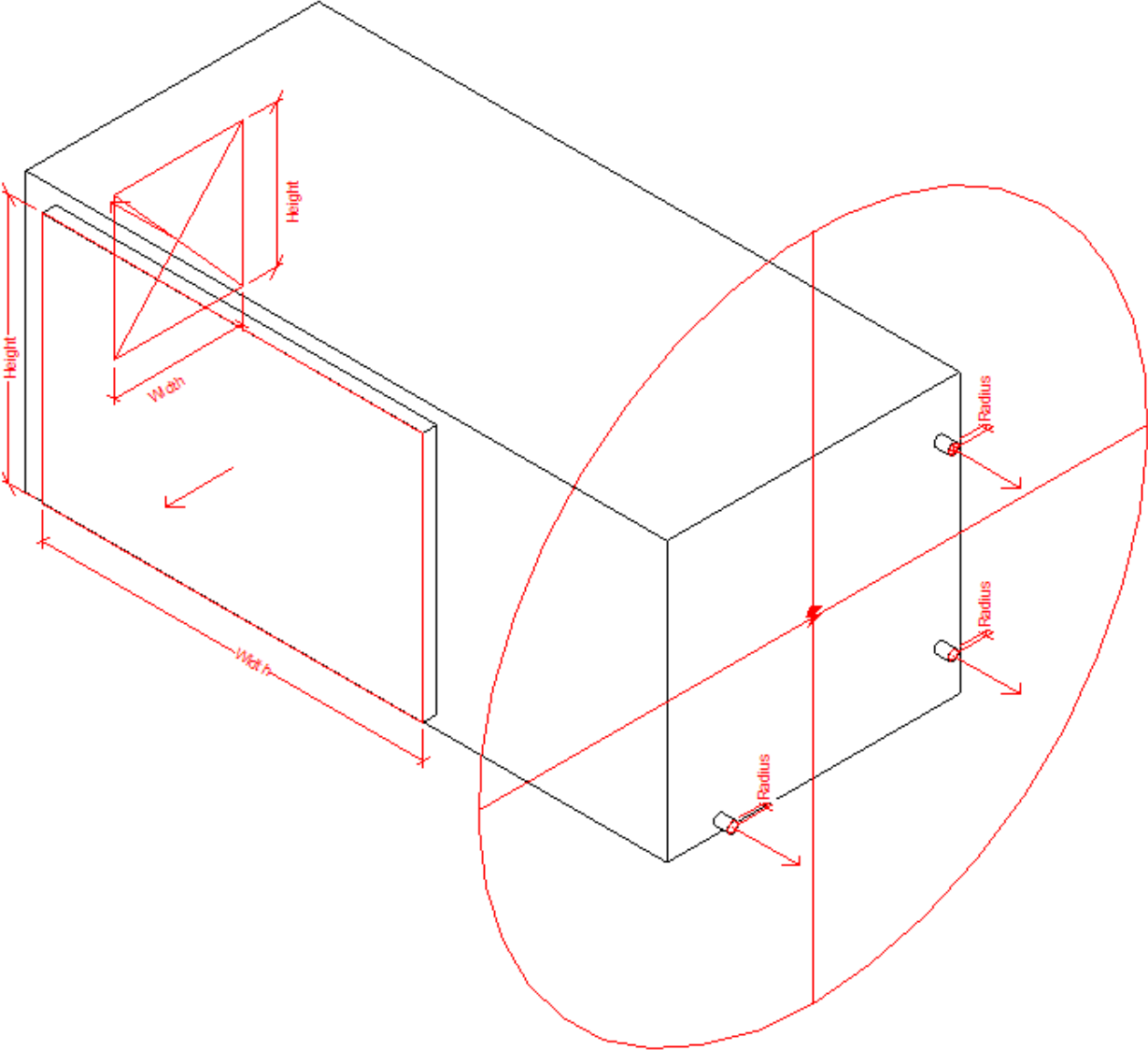
Remove

OK Cancel Apply Help

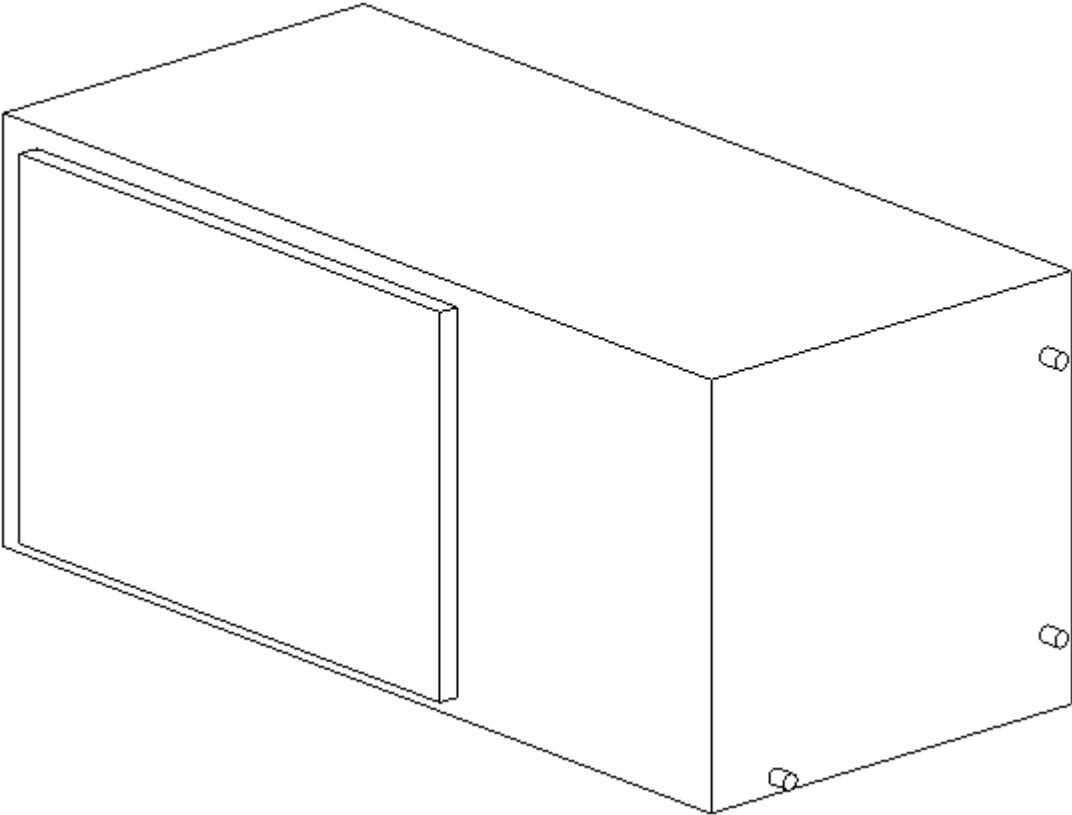
Change the scale to: 12" = 1'-0"



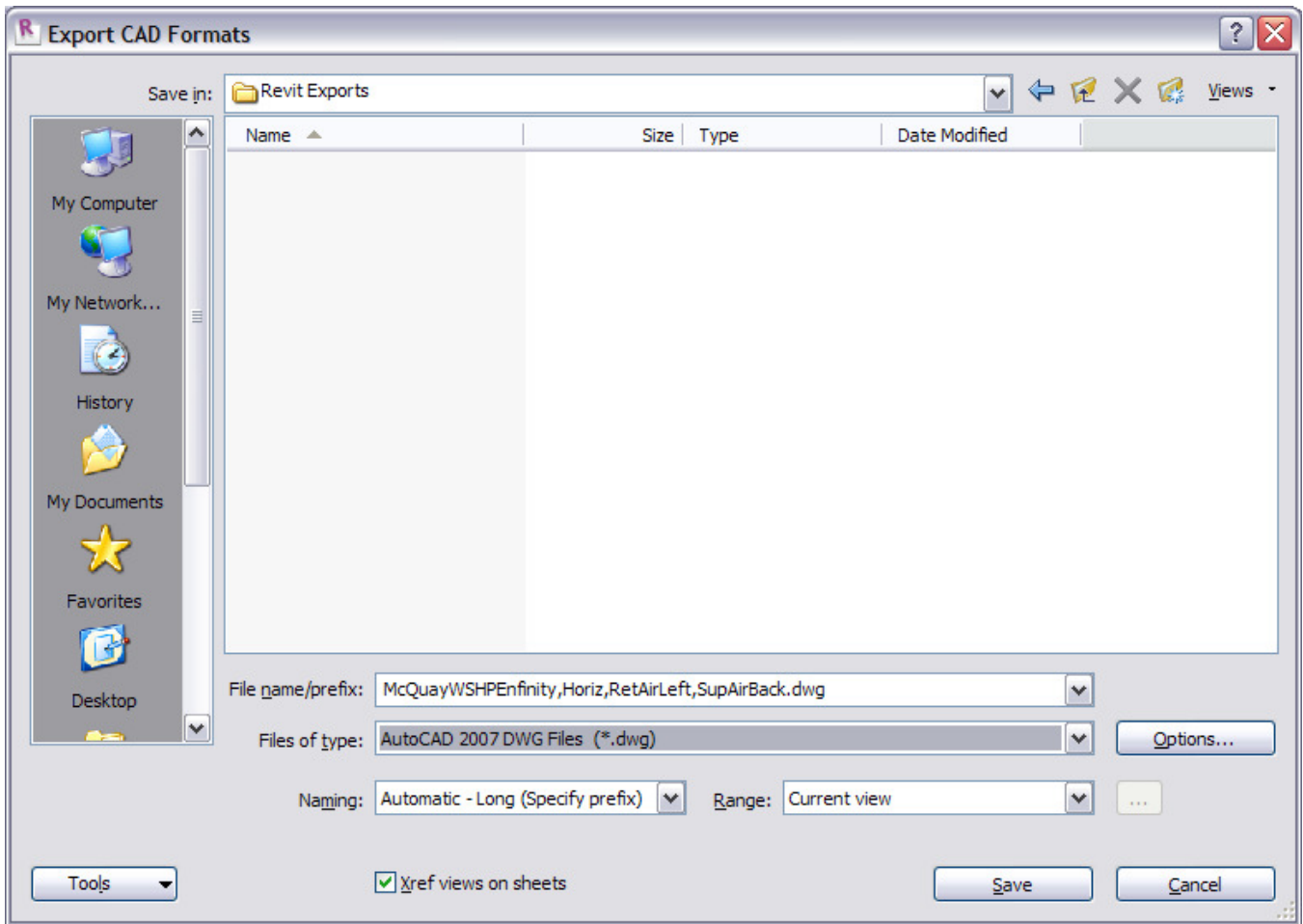
Select and delete all of the connector objects (shown here in red):



You should see a much cleaner version, which can be used appropriately in AutoCAD.



Using the pulldown menus, select File / Export / Cad Formats and save the file to the folder of your choice, using the format of your choice.



Here's what it looks like when the exported file is loaded into AutoCAD. You'll probably want to change the color in AutoCAD.

